

## Product Specification

### SFP+ WDM 10G ER 40km TX1330

#### 10Gb/s BIDI SFP+ 40km Transceiver



### 1 Product Features

- Up to 10.7Gbps Data Links
- Single Mode LC Receptacle Bi-directional Transceiver
- Up to 40km transmission on SMF
- Power dissipation <1.5W
- 1330nm DFB laser and PIN receiver
- 2-wire interface with integrated Digital Diagnostic monitoring
- EEPROM with Serial ID Functionality
- Compliant with FC\_PI\_4 REV 7.0
- Compliant with SFP+ MSA with duplex LC connector
- Single + 3.3 V Power Supply and LVTTTL Logic
- Case operating temperature: - 5 °C ~ + 70 °C

### 2 Applications

- 10GBASE-BX at 10.3125 Gb/s
- 10GBASE-BX at 9.953 Gb/s
- 1000 Base-LX Ethernet
- 8XFC at 8.5Gbps
- 4XFC at 4.25Gpbs
- 2XFC at 2.125Gpbs
- 1xFC at 1.0625Gbps

### 3 Standard

- Compliant with SFF-8472 SFP+ MSA.
- Compliant with FC\_PI\_4 REV 7.0.
- Compliant to SFP+ SFF-8431 and SFF-8432.
- Compliant to 802.3ae 10GBASE-ER.
- RoHS Compliant.

#### 4. Description

SFP+ WDM 10G ER 40km TX1330 is hot pluggable 3.3V Small-Form-Factor transceiver module. It designed expressly for high-speed communication applications that require rates up to 10.7Gb/s, it designed to be compliant with SFF-8472 SFP+ MSA. The module data link up to 40km in 9/125um single mode fiber. The optical output can be disabled by a LVTTTL logic high-level input of Tx Disable. Tx Fault is provided to indicate that degradation of the laser. Loss of signal (LOS) output is provided to indicate the loss of an input optical signal of receiver or the link status with partner.

#### 5. Absolute Maximum Ratings

Parameter	Symbol	Min.	Max.	Unit
Storage Temperature	Ts	-40	85	°C
Storage Ambient Humidity	HA	5	95	%
Operating Relative Humidity	RH	-	85	%
Power Supply Voltage	Vcc	-0.3	4	V
Signal Input Voltage		Vcc-0.3	Vcc+0.3	V

#### 6. Recommended Operating Conditions

Parameter	Symbol	Min.	Typical	Max.	Unit
Case Operating Temperature	Tcase	-5	-	70	°C [2]
Power Supply Voltage	Vcc	3.14	3.3	3.47	V
Power Supply Current	Icc	-	300	450	mA
Data Rate	BR		10.3125		Gbps
Transmission Distance	T <sub>D</sub>			40	km [1]
Coupled fiber					Single mode fiber [3]

**Notes:**

- [1] Measured with SMF
- [2] Without air flow
- [3] ITU-T G.652

#### 7. Optical Characteristics

Parameter	Symbol	Min.	Typical	Max.	Unit
<b>Transmitter</b>					
Average Launched Power	PO	-1	-	4	dBm
Average Launched Power(Laser Off)	Poff	-	-	-30	dBm [1]
Optical Modulation Amplitude	OMA	-3	-	-	dBm [1]

Parameter	Symbol	Min.	Typical	Max.	Unit
Center Wavelength Range	$\lambda_C$	1320	1330	1340	nm
Side mode suppression ratio	SMSR	30	-	-	dB
Spectrum Bandwidth(-20dB)	$\sigma$	-	-	1	nm
Extinction Ratio	ER	3.5	-	-	dB <sup>[2]</sup>
Output Eye Mask	Compliant with FC_PI_4 REV 7.0 <sup>[2]</sup>				
Receiver					
Input Optical Wavelength	$\lambda_{IN}$	1260	1270	1280	nm
Receiver Sensitivity	Psen	-	-	-15	dBm <sup>[3]</sup>
Input Saturation Power (Overload)	PSAT	0.5	-	-	dBm <sup>[3]</sup>
LOS -Assert Power	PA	-30	-	-	dBm
LOS -Deassert Power	PD	-	-	-17	dBm
LOS -Hysteresis	PHys	0.5	-	5	dB

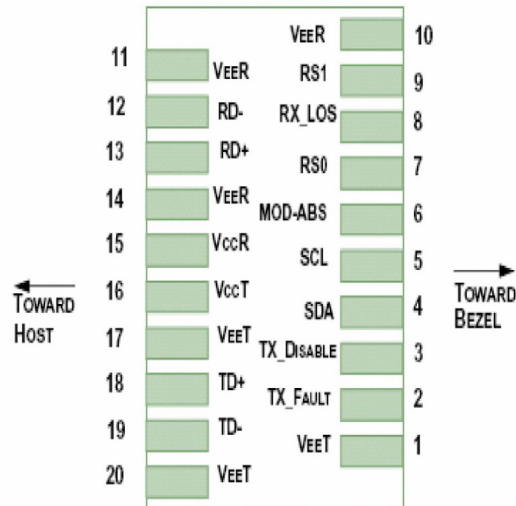
**Notes:**

- [1] The optical power is launched into SMF
- [2] Measured with RPBS 2<sup>31</sup>-1 test pattern @10.3125Gbs
- [3] Measured with RPBS 2<sup>31</sup>-1 test pattern @10.3125Gbs BER=<10<sup>-12</sup>

## 8. Electrical Interface Characteristics

Parameter	Symbol	Min.	Typical	Max.	Unit
Total power supply current	Icc	-	300	450	mA
Transmitter					
Differential Data Input Voltage	VDT	180	-	700	mVp-p
Differential line input Impedance	RIN	85	100	115	Ohm
Transmitter Fault Output-High	VFaultH	2.4	-	Vcc	V
Transmitter Fault Output-Low	VFaultL	-0.3	-	0.8	V
Transmitter Disable Voltage- High	VDisH	2	-	Vcc+0.3	V
Transmitter Disable Voltage- low	VDisL	-0.3	-	0.8	V
Receiver					
Differential Data Output Voltage	VDR	300	-	850	mVp-p
Differential line Output Impedance	ROUT	80	100	120	Ohm
Receiver LOS Pull up Resistor	RLOS	4.7	-	10	KOhm
Data Output Rise/Fall time	tr/tf	-	-	38	ps
LOS Output Voltage-High	VLOSH	2	-	Vcc	V
LOS Output Voltage-Low	VLOSL	-0.3	-	0.4	V

## 9. Pin Descriptions



Pin#	Name	Function
1	VEET	Transmitter Ground (Common with Receiver Ground) <sup>[1]</sup>
2	T <sub>FAULT</sub>	Transmitter Fault. <sup>[2]</sup>
3	T <sub>DIS</sub>	Transmitter Disable. Laser output disabled on high or open. <sup>[3]</sup>
4	SDA	2-wire Serial Interface Data Line <sup>[4]</sup>
5	SCL	2-wire Serial Interface Clock Line <sup>[4]</sup>
6	MOD ABS	Module Absent. Grounded within the module <sup>[4]</sup>
7	RS0	Rate Select 0 <sup>[5]</sup>
8	LOS	Loss of Signal indication. Logic 0 indicates normal operation. <sup>[6]</sup>
9	RS1	No connection required <sup>[1]</sup>
10	VEER	Receiver Ground (Common with Transmitter Ground) <sup>[1]</sup>
11	VEER	Receiver Ground (Common with Transmitter Ground) <sup>[1]</sup>
12	RD-	Receiver Inverted DATA out. AC Coupled
13	RD+	Receiver Non-inverted DATA out. AC Coupled
14	VEER	Receiver Ground (Common with Transmitter Ground) <sup>[1]</sup>
15	V <sub>CCR</sub>	Receiver Power Supply
16	V <sub>CCT</sub>	Transmitter Power Supply
17	VEET	Transmitter Ground (Common with Receiver Ground) <sup>[1]</sup>
18	TD+	Transmitter Non-Inverted DATA in. AC Coupled.
19	TD-	Transmitter Inverted DATA in. AC Coupled.
20	VEET	Transmitter Ground (Common with Receiver Ground) <sup>[1]</sup>

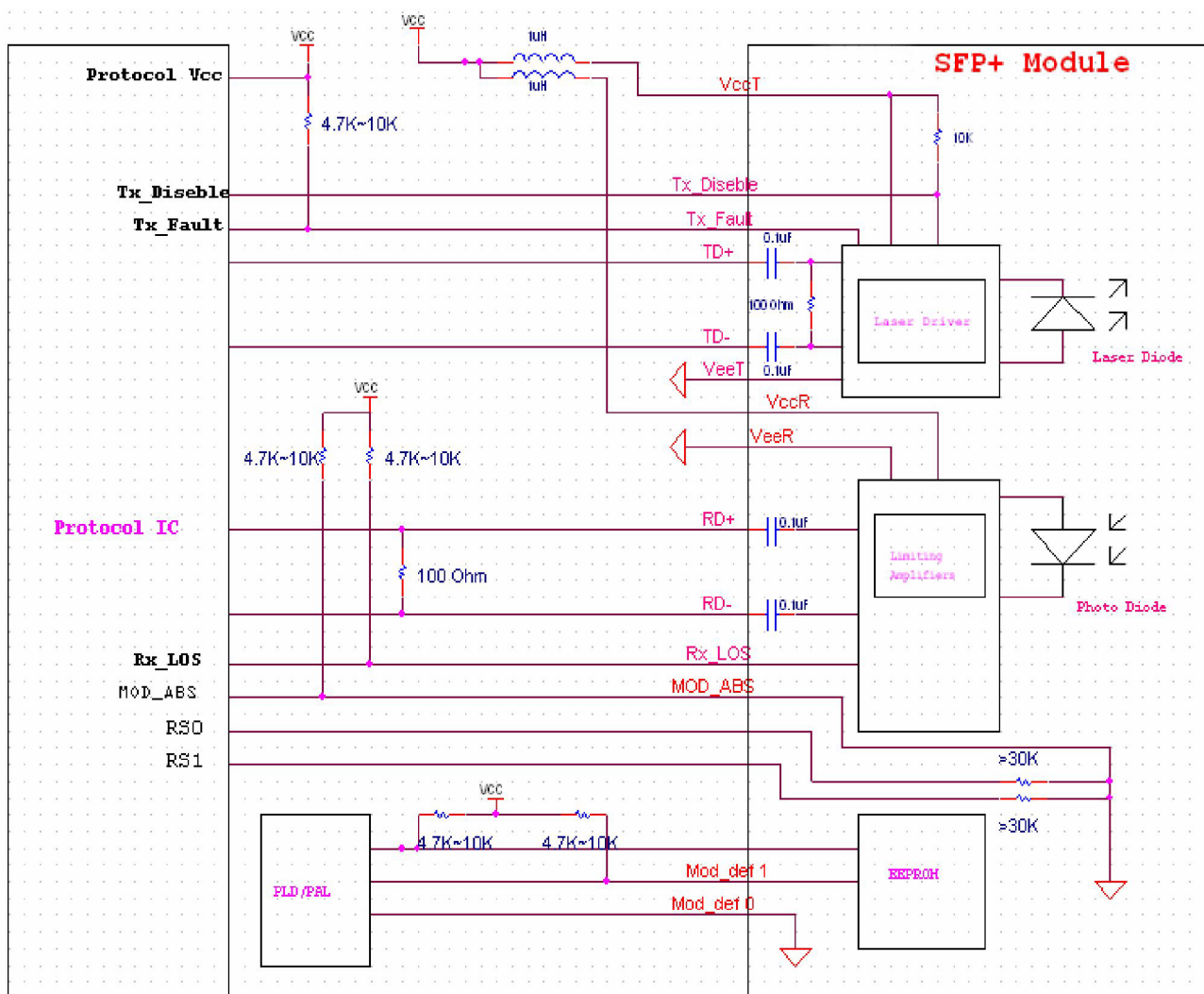
**Notes:**

- [1] Circuit ground is internally isolated from chassis ground.
- [2] T<sub>FAULT</sub> is an open collector/drain output, which should be pulled up with a 4.7k - 10k Ohms resistor on the host board

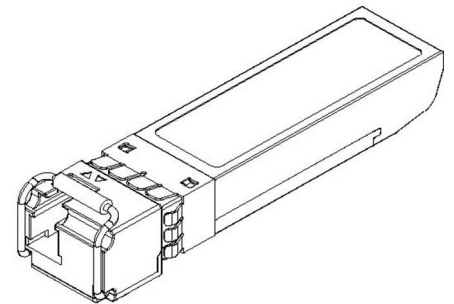
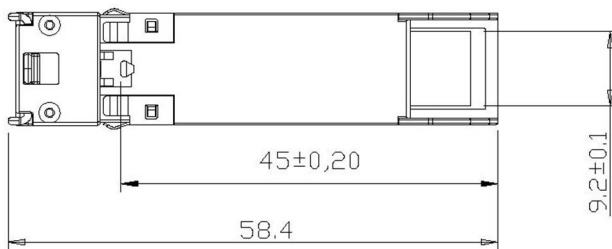
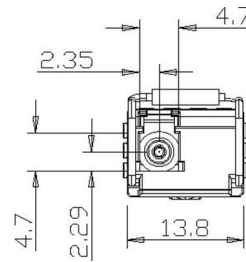
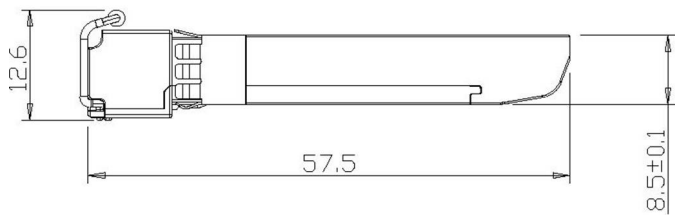
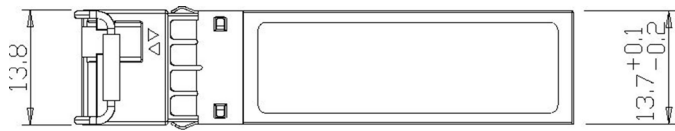
if intended for use. Pull up voltage should be between 2.0V to  $V_{CC} + 0.3V$ . A high output indicates a transmitter fault caused by either the TX bias current or the TX output power exceeding the preset alarm thresholds. A low output indicates normal operation. In the low state, the output is pulled to  $<0.8V$ .

- [3] Laser output disabled on  $T_{DIS} > 2.0V$  or open, enabled on  $T_{DIS} < 0.8V$ .
- [4] Should be pulled up with  $4.7k\Omega - 10k\Omega$  host board to a voltage between 2.0V and 3.6V. MOD\_ABS pulls line low to indicate module is plugged in.
- [5] Internally pulled down per SFF-8431 Rev 4.1.
- [6] LOS is open collector output. It should be pulled up with  $4.7k\Omega - 10k\Omega$  on host board to a voltage between 2.0V and 3.6 V. Logic 0 indicates normal operation; logic 1 indicates loss of signal.

## 10. Recommend Circuit Schematic



## 11. Outline Dimensions



## 12. Regulatory Compliance

Feature	Reference	Performance
Electrostatic discharge (ESD)	IEC/EN 61000-4-2	Compatible with standards
Electromagnetic Interference (EMI)	FCC Part 15 Class B EN 55022 Class B (CISPR 22A)	Compatible with standards
Laser Eye Safety	FDA 21CFR 1040.10, 1040.11 IEC/EN 60825-1, 2	Class 1 laser product
Component Recognition	IEC/EN 60950, UL	Compatible with standards
ROHS	2002/95/EC	Compatible with standards
EMC	EN61000-3	Compatible with standards